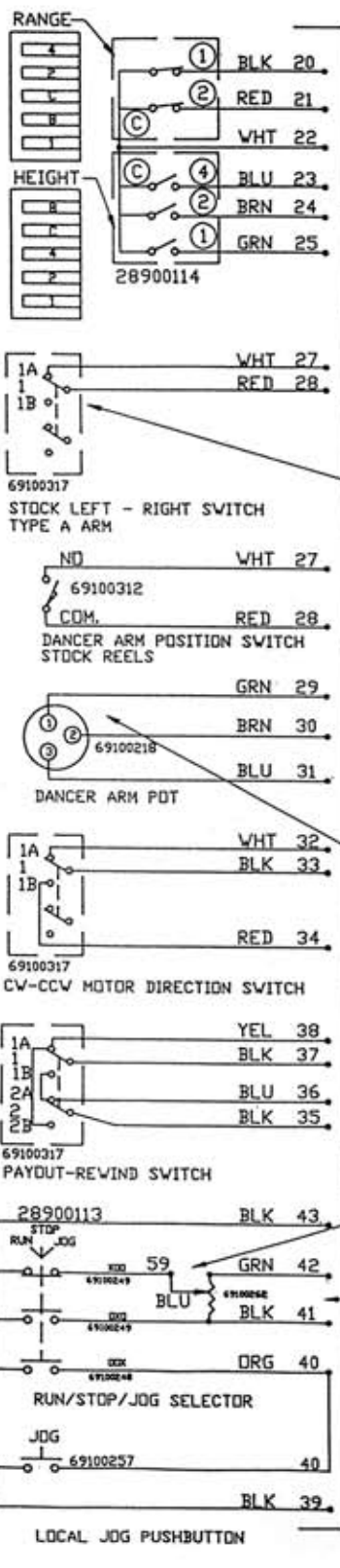
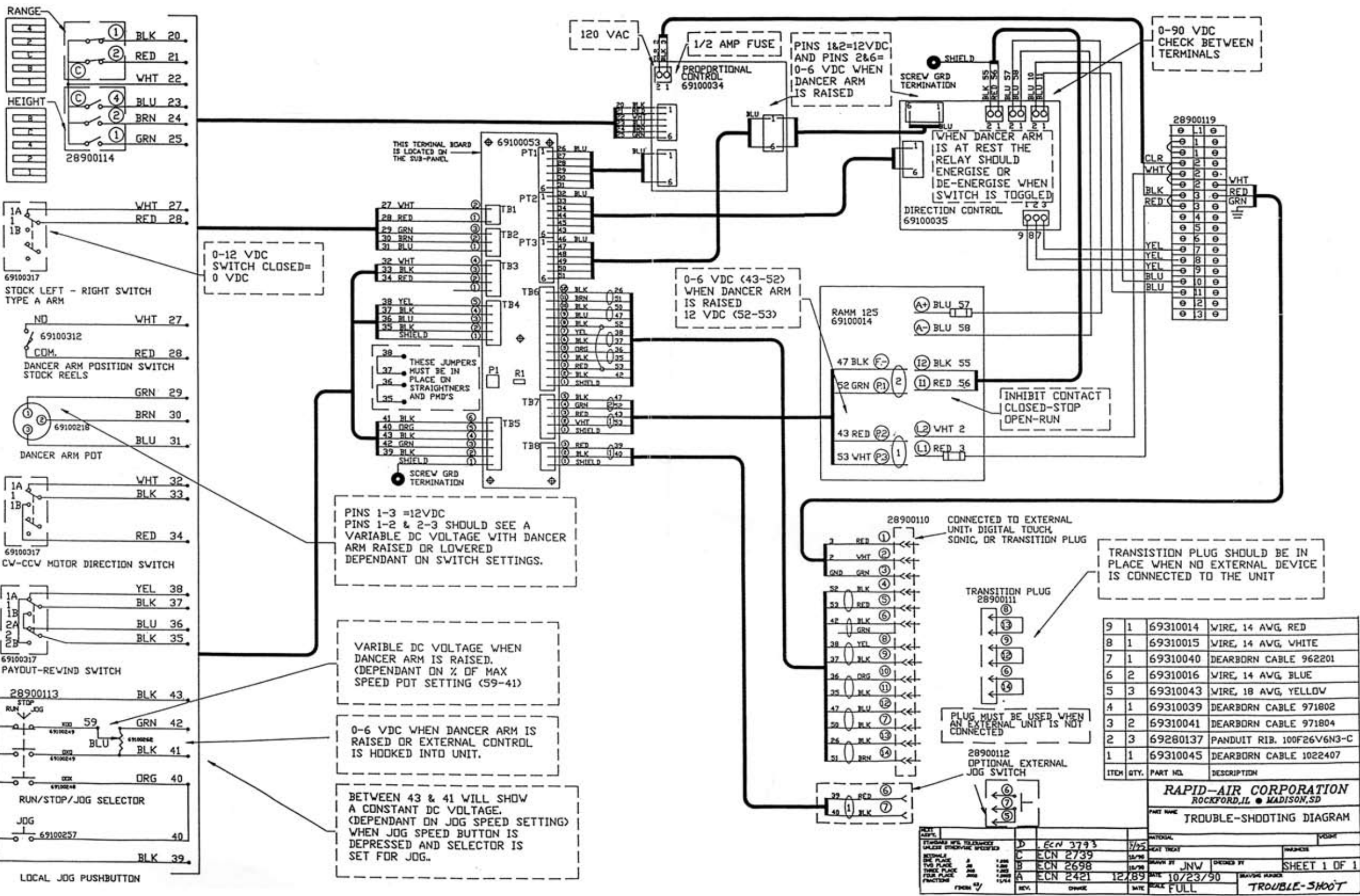




REEL & STRAIGHTENER TROUBLESHOOTING GUIDE

CIRCUIT DIAGRAM



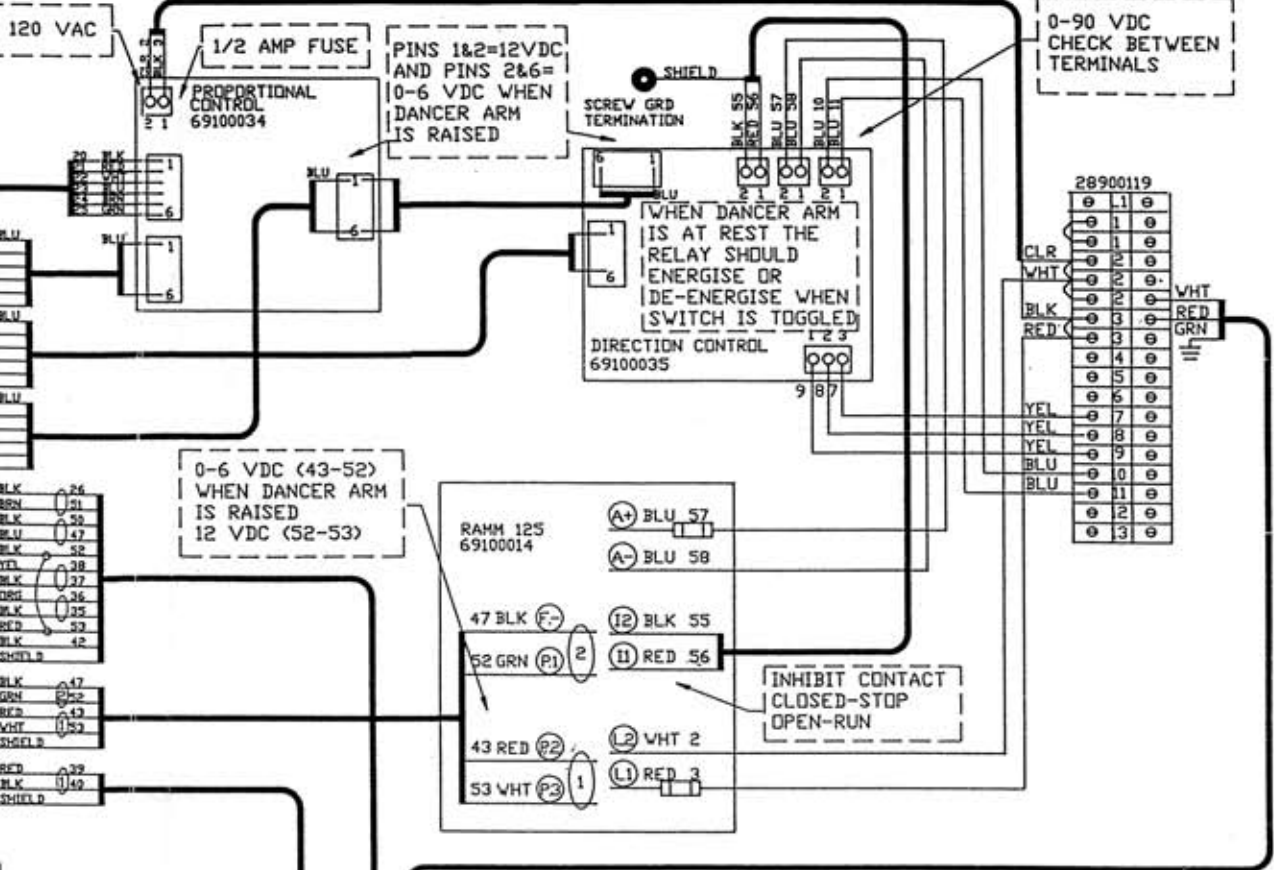
0-12 VDC SWITCH CLOSED= 0 VDC

PINS 1-3 =12VDC
PINS 1-2 & 2-3 SHOULD SEE A VARIABLE DC VOLTAGE WITH DANCER ARM RAISED OR LOWERED DEPENDANT ON SWITCH SETTINGS.

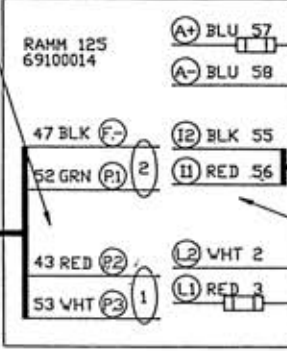
VARIABLE DC VOLTAGE WHEN DANCER ARM IS RAISED. (DEPENDANT ON % OF MAX SPEED PDT SETTING (59-41)

0-6 VDC WHEN DANCER ARM IS RAISED OR EXTERNAL CONTROL IS HOOKED INTO UNIT.

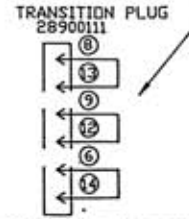
BETWEEN 43 & 41 WILL SHOW A CONSTANT DC VOLTAGE. (DEPENDANT ON JOG SPEED SETTING) WHEN JOG SPEED BUTTON IS DEPRESSED AND SELECTOR IS SET FOR JOG.



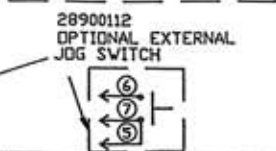
0-6 VDC (43-52) WHEN DANCER ARM IS RAISED
12 VDC (52-53)



CONNECTED TO EXTERNAL UNIT: DIGITAL TOUCH, SONIC, OR TRANSITION PLUG



PLUG MUST BE USED WHEN AN EXTERNAL UNIT IS NOT CONNECTED



9	1	69310014	WIRE, 14 AVG, RED
8	1	69310015	WIRE, 14 AVG, WHITE
7	1	69310040	DEARBORN CABLE 962201
6	2	69310016	WIRE, 14 AVG, BLUE
5	3	69310043	WIRE, 18 AVG, YELLOW
4	1	69310039	DEARBORN CABLE 971802
3	2	69310041	DEARBORN CABLE 971804
2	3	69280137	PANDUIT RIB. 100F26V6N3-C
1	1	69310045	DEARBORN CABLE 1022407
ITCH	QTY.	PART NO.	DESCRIPTION

RAPID-AIR CORPORATION
ROCKFORD, ILL. • MADISON, SD

PART NAME: TROUBLE-SHOOTING DIAGRAM

REV. 1	DATE 10/23/90	BY JNW	CHKED BY
REV. 2	DATE	BY	CHKED BY

SHEET 1 OF 1

TROUBLE-SHOOT